

*Thank you for purchasing our Baby Nooq Activity Chair.
This multi-use seat is designed to grow with your little one,
providing a safe place to sit, snack and play! Enjoy it!*



Activity Chair Assembly Instructions

Appendix 1

Please read the following instructions and warnings carefully

**KEEP THIS INSTRUCTION MANUAL
FOR FUTURE REFERENCE.**

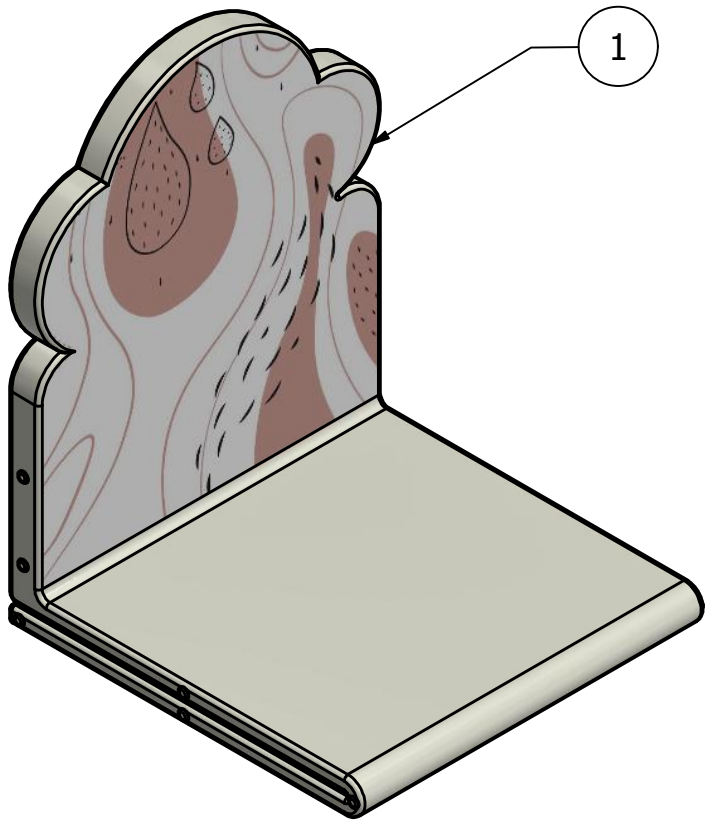
Adult assembly required.

For use with children from approximately 0 months to 4 years.

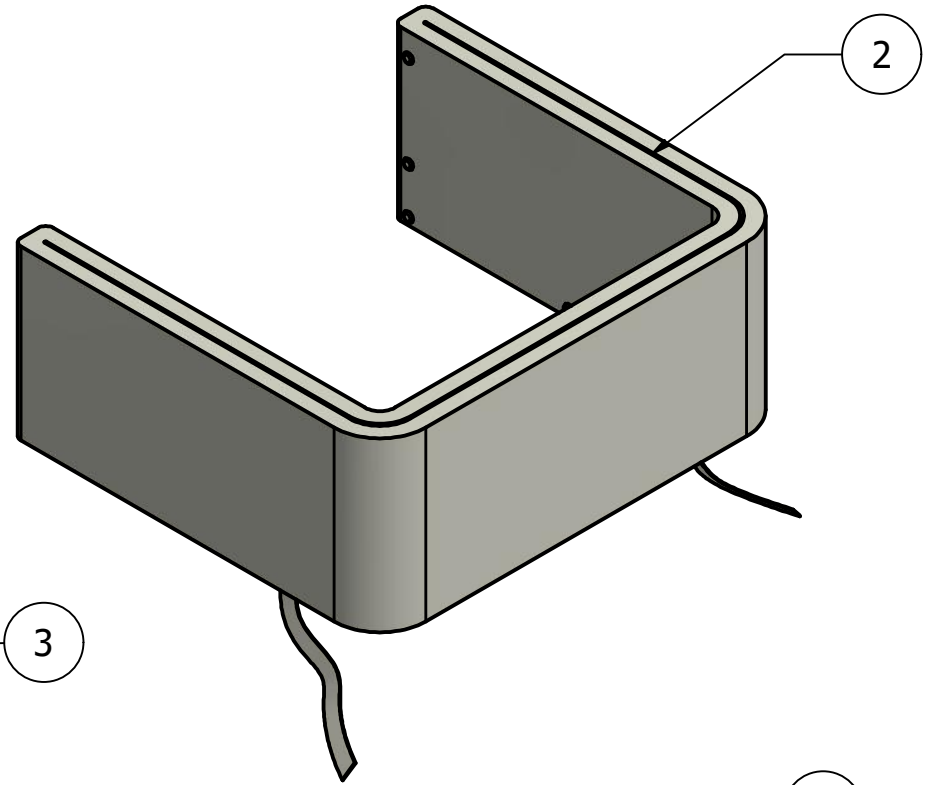
Need more help?

Assembly Videos on
www.baby-nooq.com

E: contact@baby-nooq.com



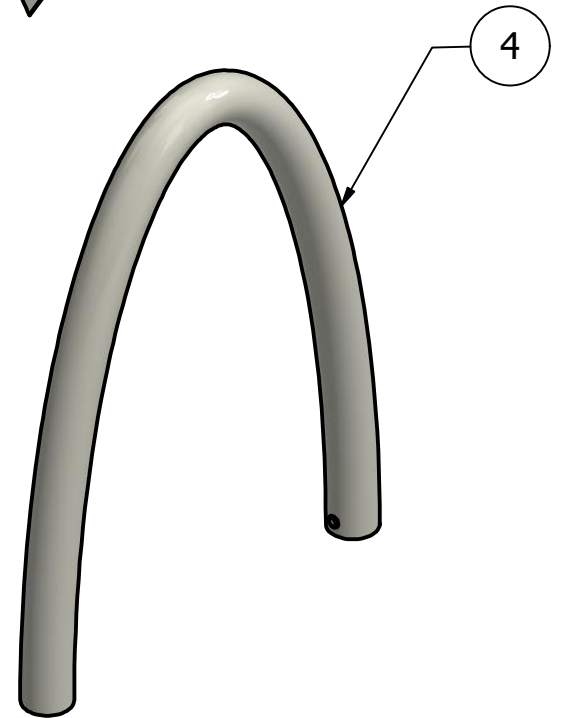
1



2



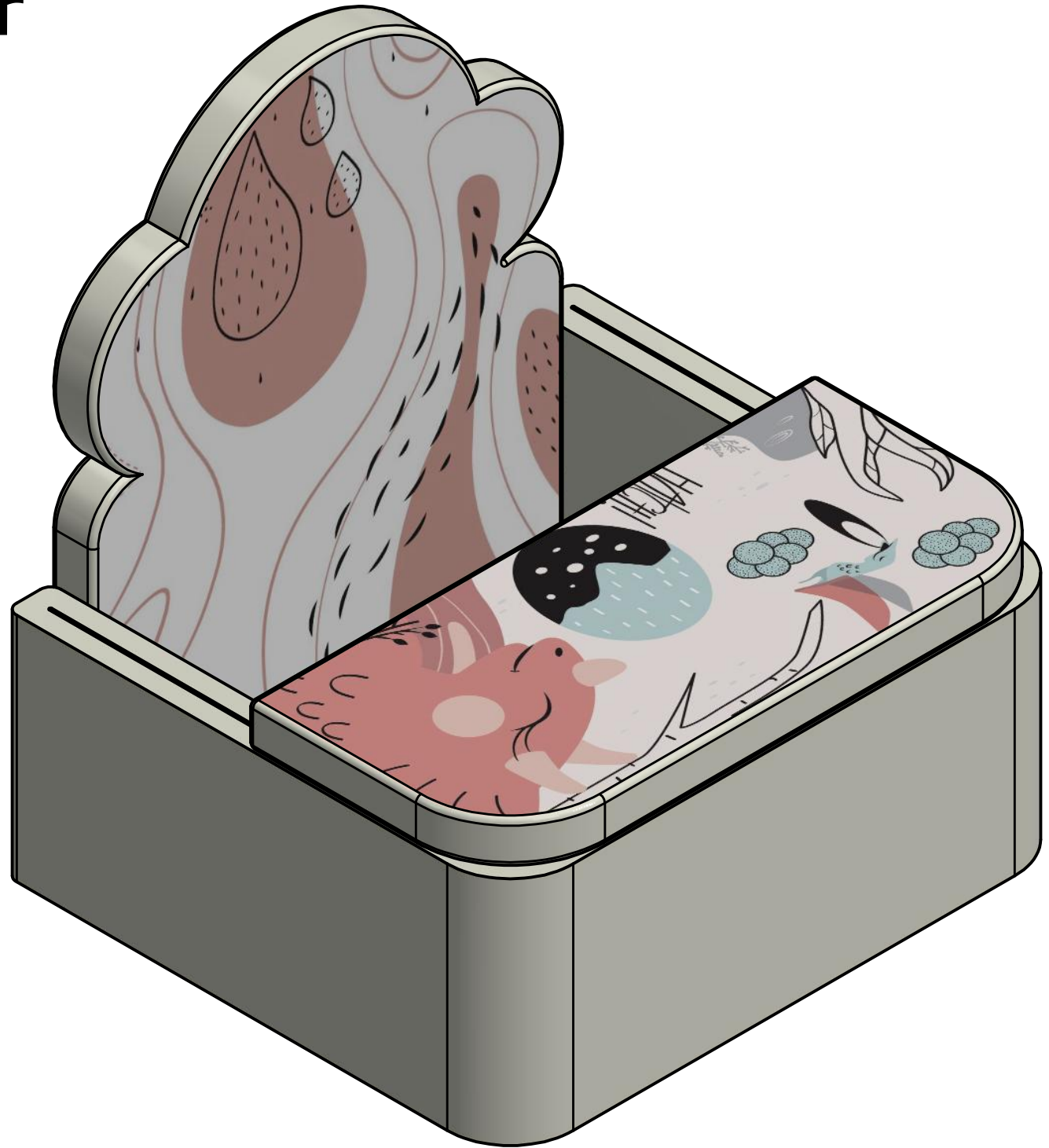
3



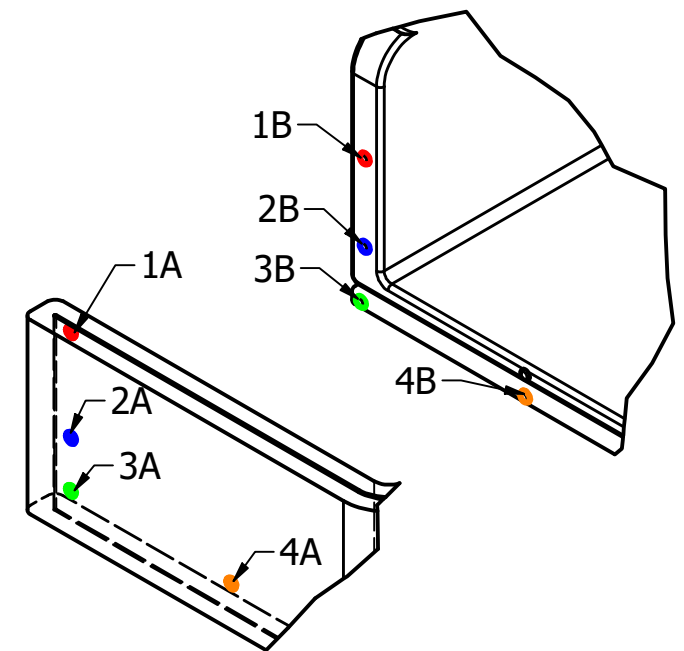
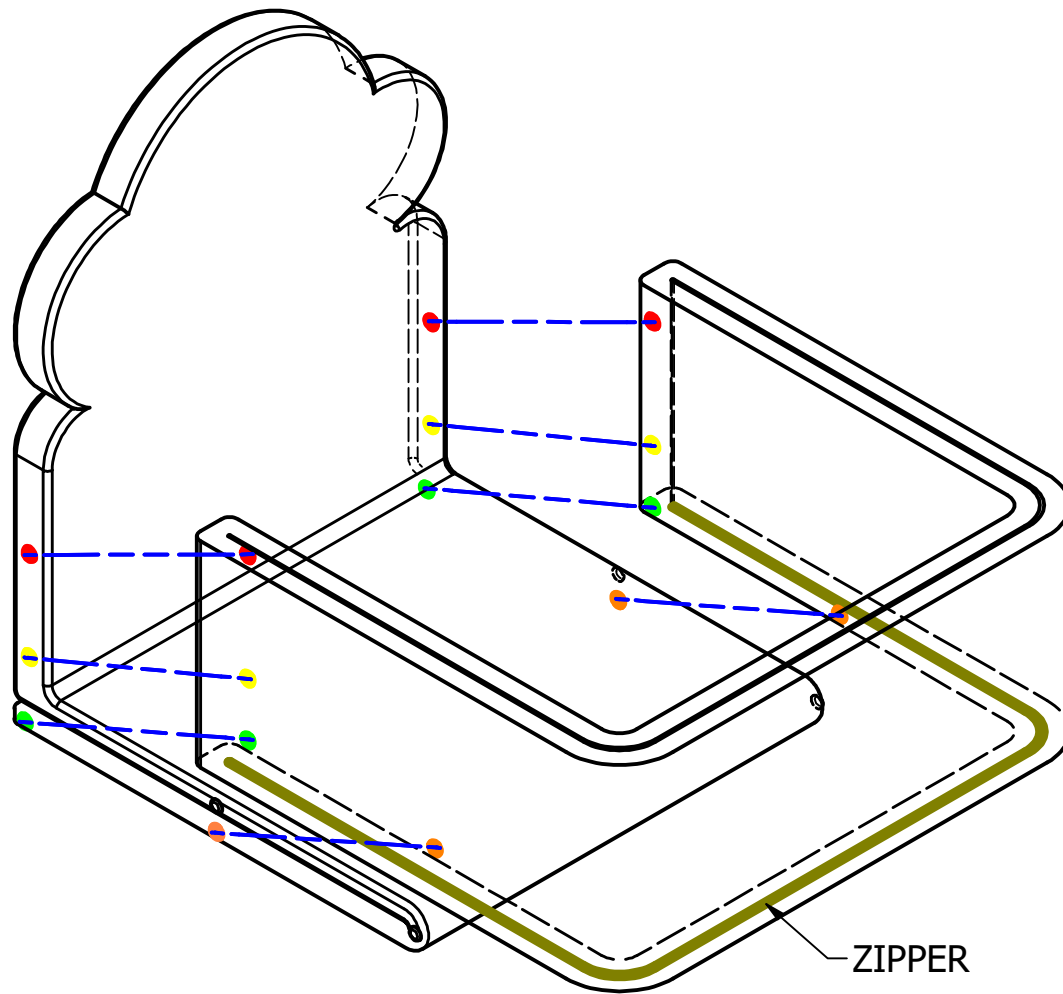
4

PARTS LIST			
ITEM	QTY	PART NUMBER	DESCRIPTION
1	1		ACTIVITY CHAIR BASE
2	1		ACTIVITY CHAIR SIDES
3	1		ACTIVITY TRAY
4	1		RATTLE ARCH

Activity Chair

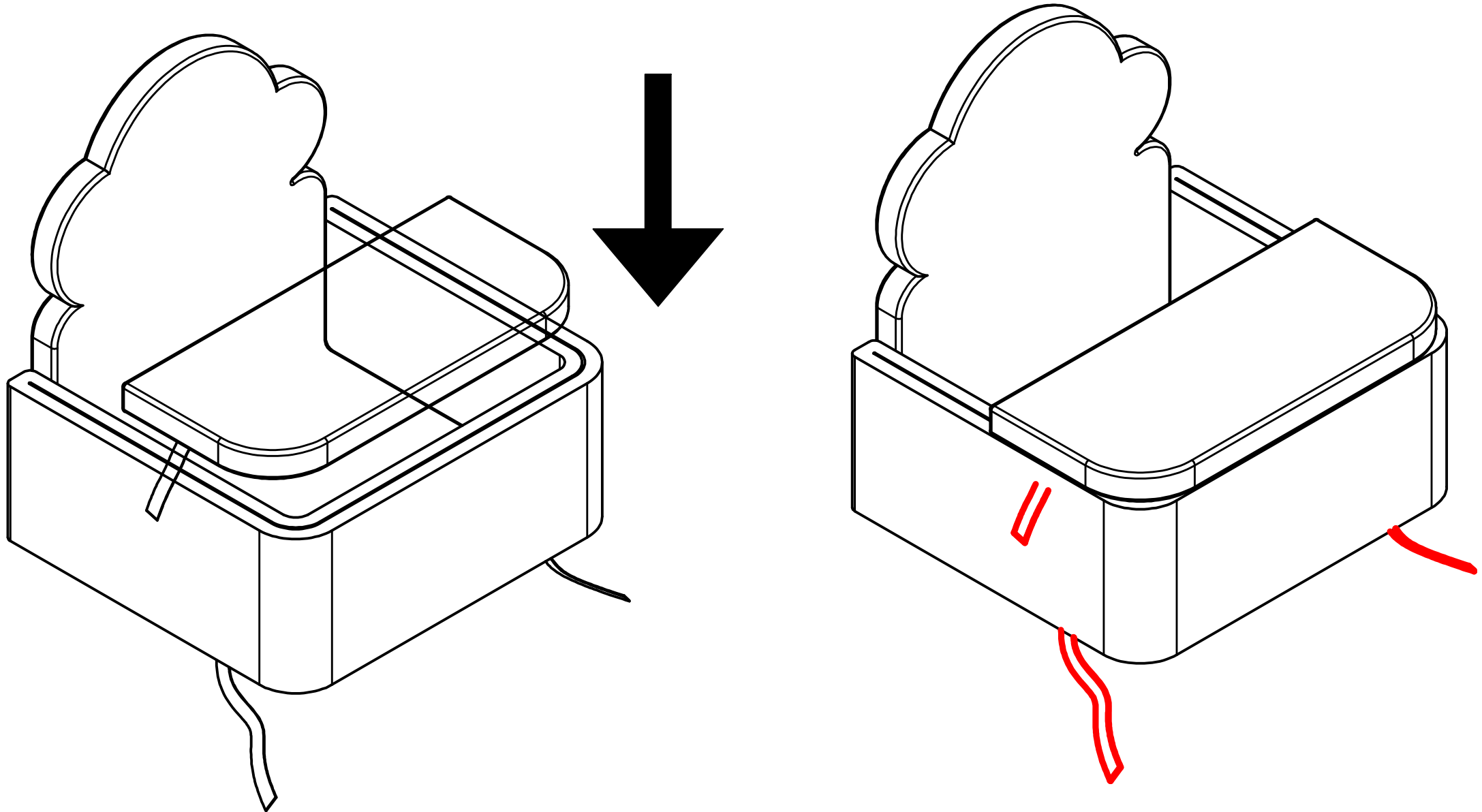


STEP 1: Pair the snap buttons as in image below by pressing firmly



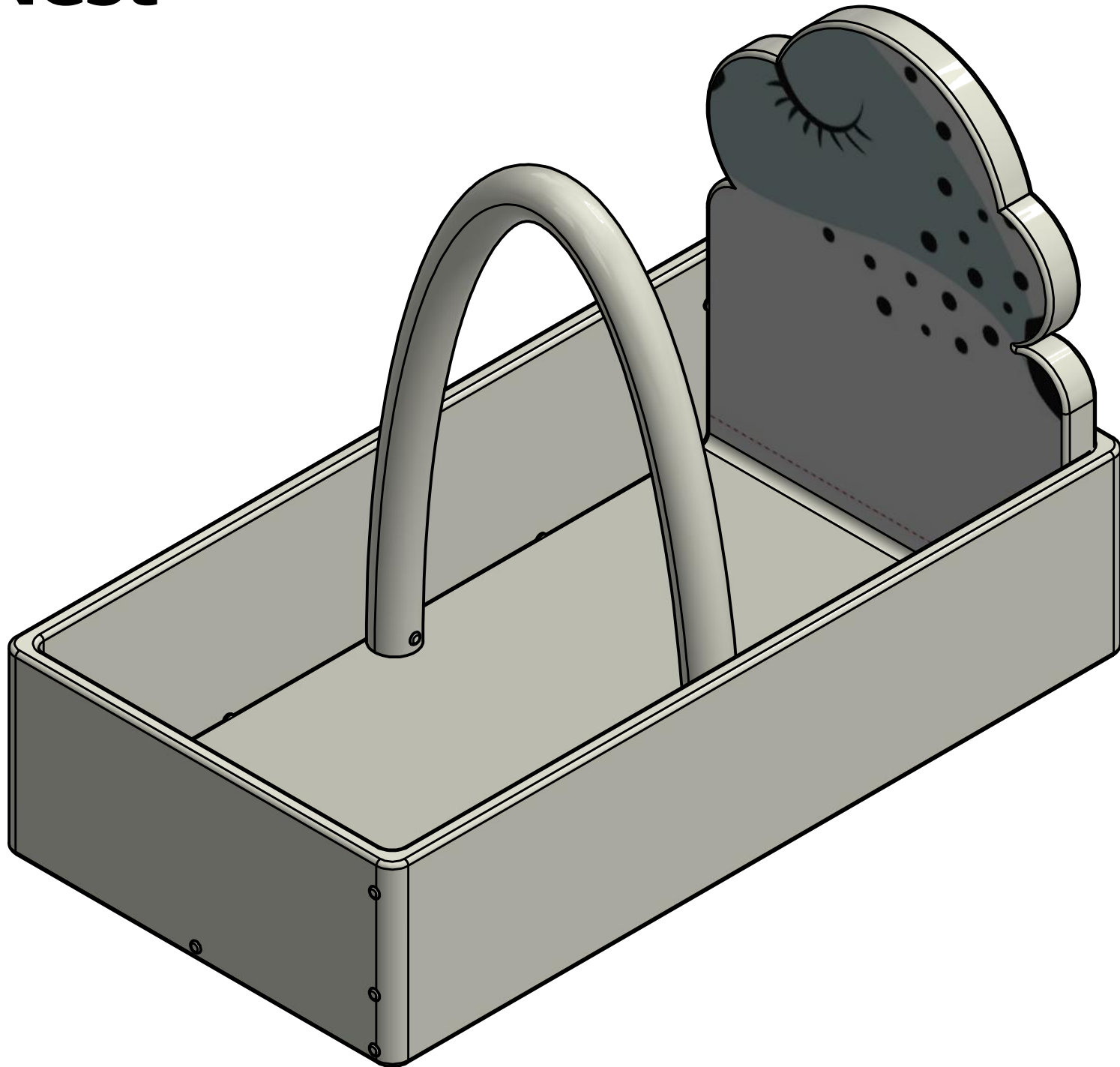
NOTE: Always position the sides with the zipper at the bottom

STEP 2: Place the activity tray on the top and tie with the ribbon, both left and right sides

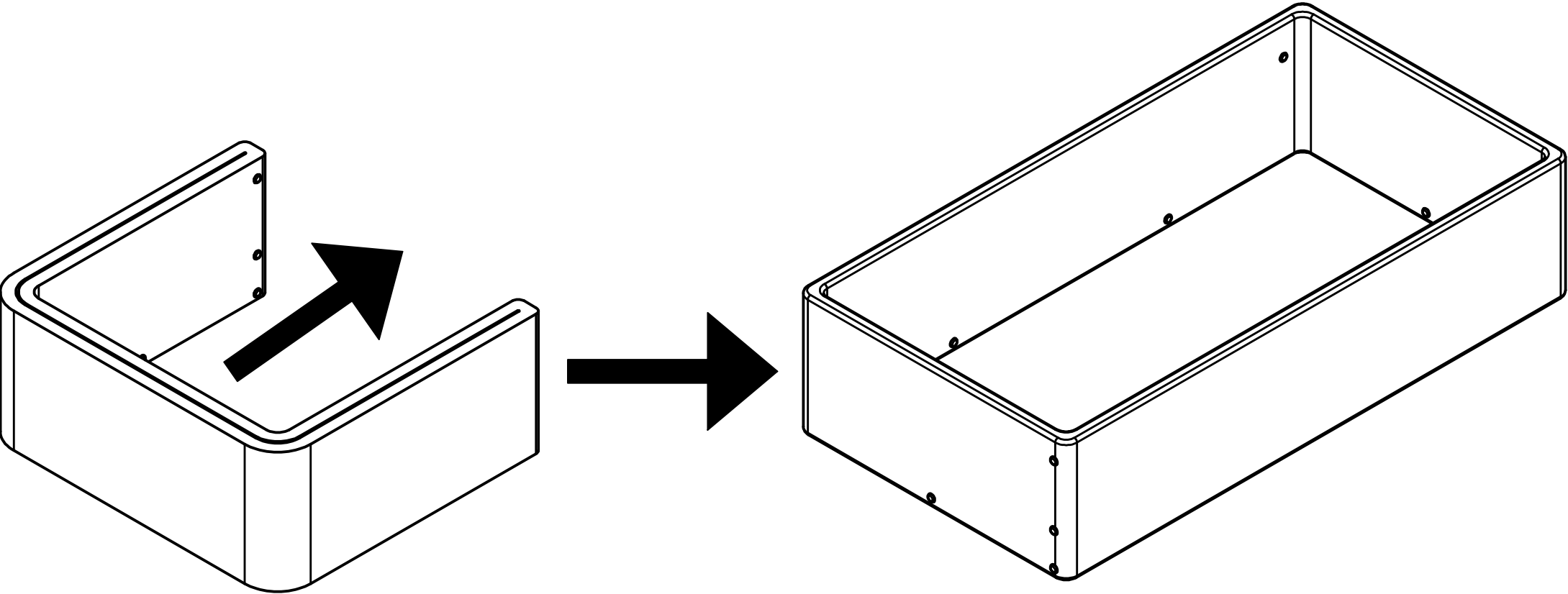


NOTE: We recommend tying with a bow and hiding it between the sides

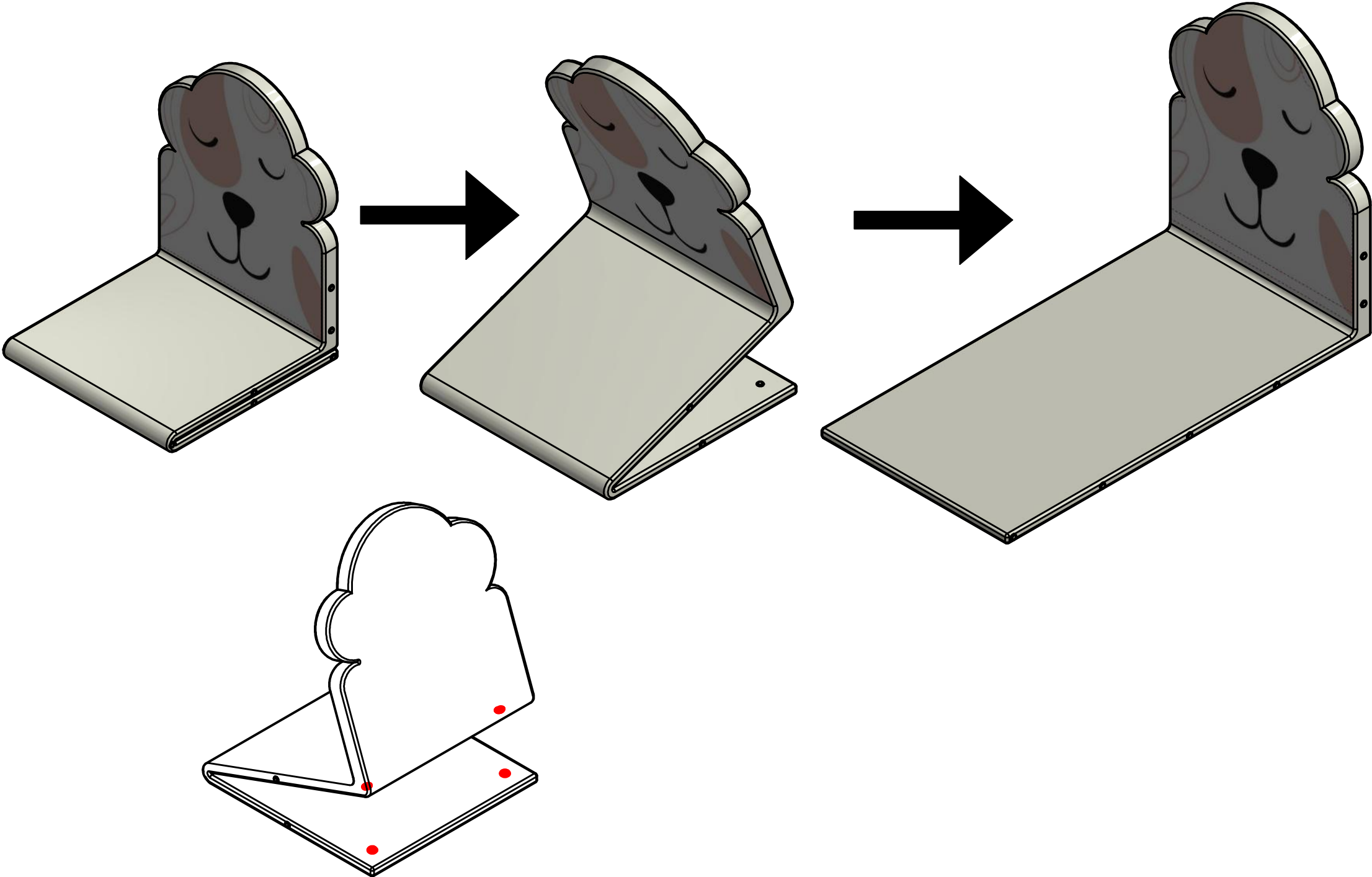
Baby Nest



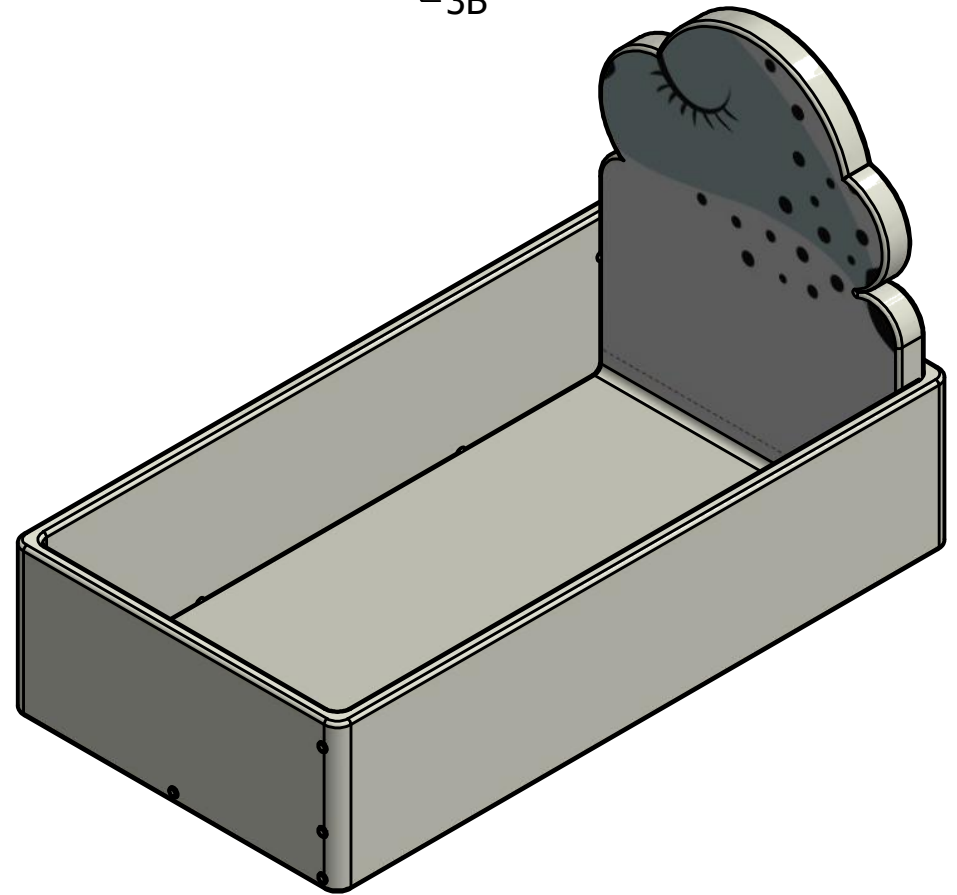
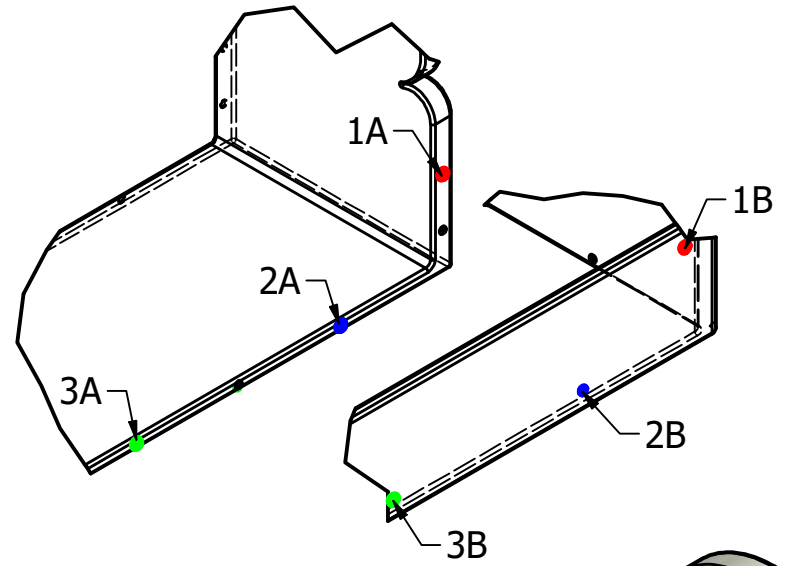
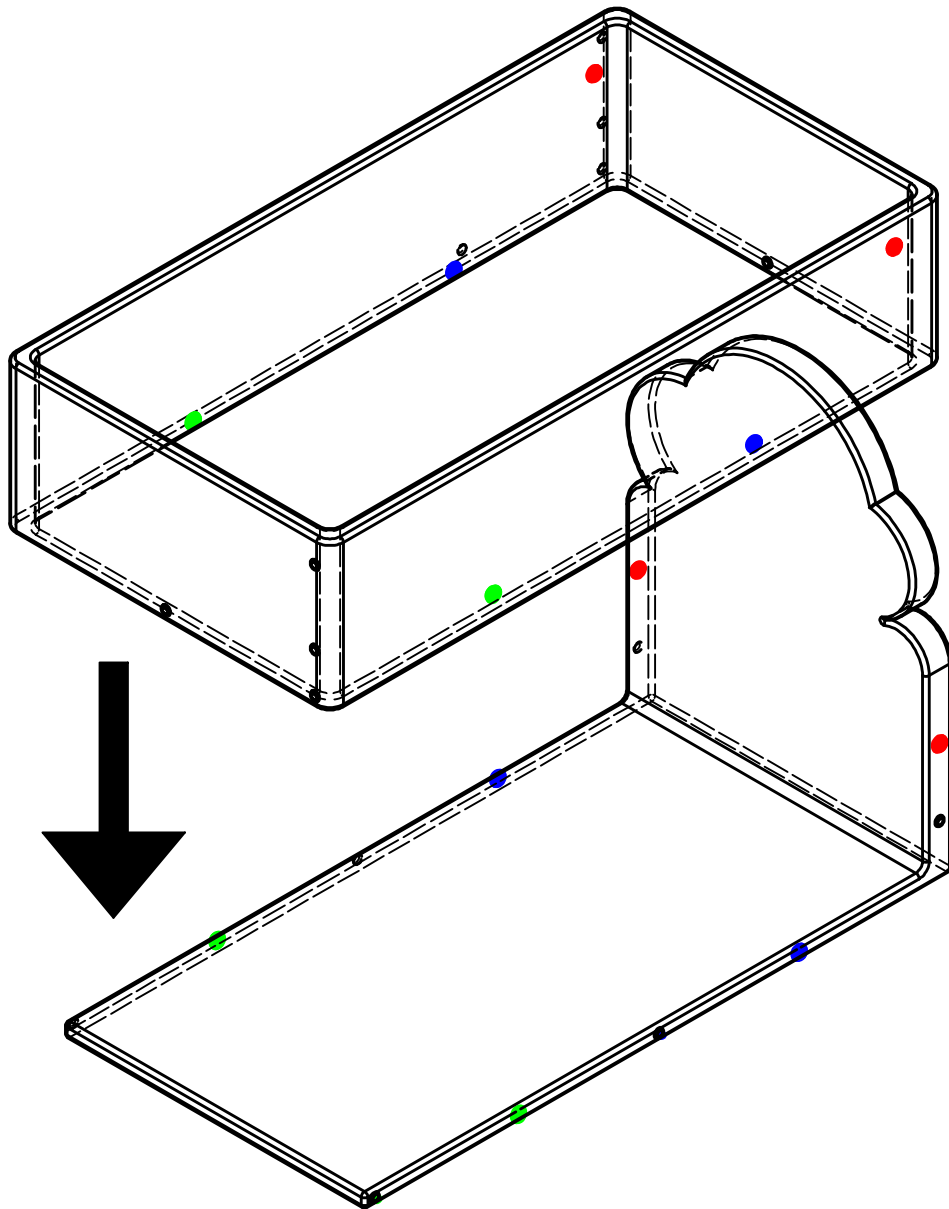
STEP 1: Unfold the activity chair sides as in the image bellow



STEP 2: Extend the base by unfastening the 2 snap buttons between



STEP 3: Position the sides behind the backrest and secure with the snap buttons as shown below



STEP 4: Attach the rattles arch inside the nest and secure with snap buttons

